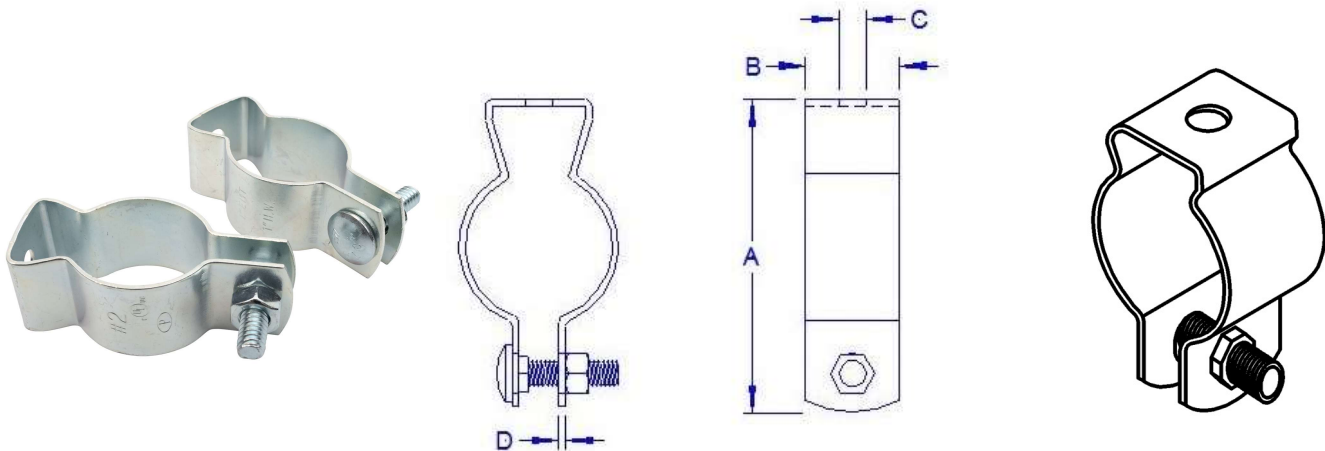


Conduit Hangers with Carriage Bolt and Nut

Material: C-1008 Steel

Finish: Zinc Plating

Conduit Hangers secure electrical conduit (EMT or Rigid) to hardware or mounting surface.



Item No.	Description	Trade Size	Rigid, IMC Size	EMT Size	A	B	C	D	Bolt Size
40150	Conduit Hanger with C'Bolt and Nut	0	3/8" & 1/2"	1/2"	1 7/8"	3/4"	1/4"	0.048	1/4"X1"
40175	Conduit Hanger with C'Bolt and Nut	1	3/4"	3/4"	2 1/8"	3/4"	1/4"	0.048	1/4"X1"
40100	Conduit Hanger with C'Bolt and Nut	2	1"	1"	2 7/16"	7/8"	1/4"	0.048	1/4"X1"
40124	Conduit Hanger with C'Bolt and Nut	2.5	-	1 1/4"	2 3/4"	7/8"	1/4"	0.048	1/4"X1"
40125	Conduit Hanger with C'Bolt and Nut	3	1 1/4"	1 1/2"	2 7/8"	7/8"	1/4"	0.048	1/4"X1"
40150	Conduit Hanger with C'Bolt and Nut	4	1 1/2"	-	3 1/8"	1"	5/16"	0.060	1/4"X1"
40200	Conduit Hanger with C'Bolt and Nut	5	2"	2"	3 7/8"	1"	5/16"	0.060	1/4"X1"
40250	Conduit Hanger with C'Bolt and Nut	6	2 1/2"	2 1/2"	4 5/8"	1 1/8"	3/8"	0.075	5/16"X1 1/4"
40300	Conduit Hanger with C'Bolt and Nut	7	3"	3"	5 1/2"	1 1/8"	3/8"	0.075	5/16"X1 1/4"
40350	Conduit Hanger with C'Bolt and Nut	8	3 1/2"	3 1/2"	5 3/4"	1 1/4"	3/8"	0.075	5/16"X1 1/4"
40400	Conduit Hanger with C'Bolt and Nut	9	4"	4"	6 1/4"	1 1/4"	3/8"	0.075	5/16"X1 1/4"

UL LISTED File NO. E186443



Compliance Information:

UL Compliant, RoHS Compliant, ARRA Compliant, Country of Origin USA

Available through ConduitHardware.com